

BT-NG-020621-545-0029

# Bramford to Twinstead Reinforcement

Volume 2: Plans and Drawings

Document 2.11.15: Design and Layout Plans: Horizontal  
Directional Drill

Final Issue A  
April 2023

Planning Inspectorate reference: EN020002

Infrastructure Planning (Applications: Prescribed Forms and Procedure) Regulations 2009 Regulation 5(2)(o)

nationalgrid

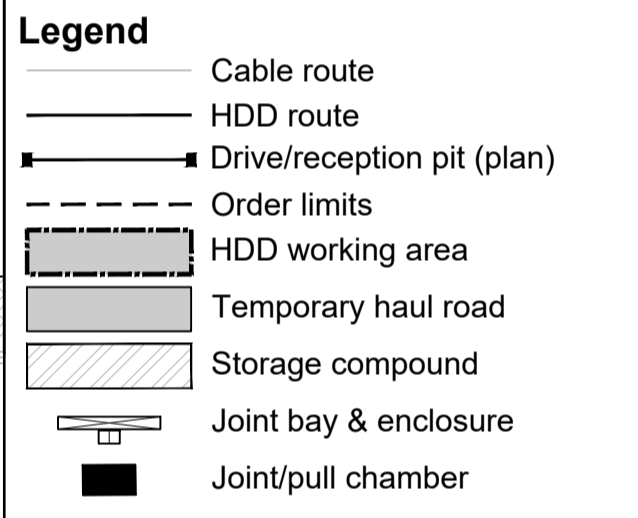
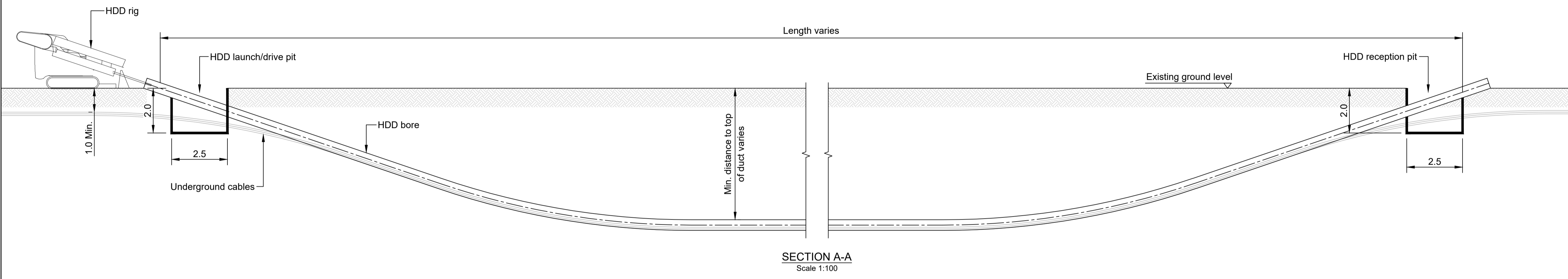
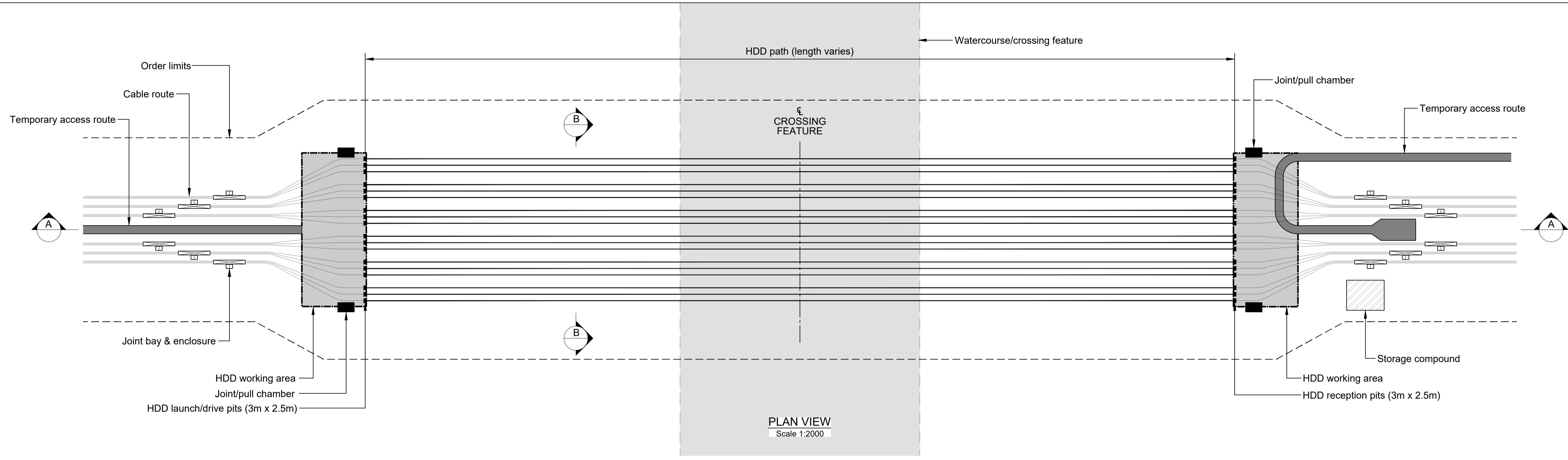




**Page intentionally blank**

**General Notes**

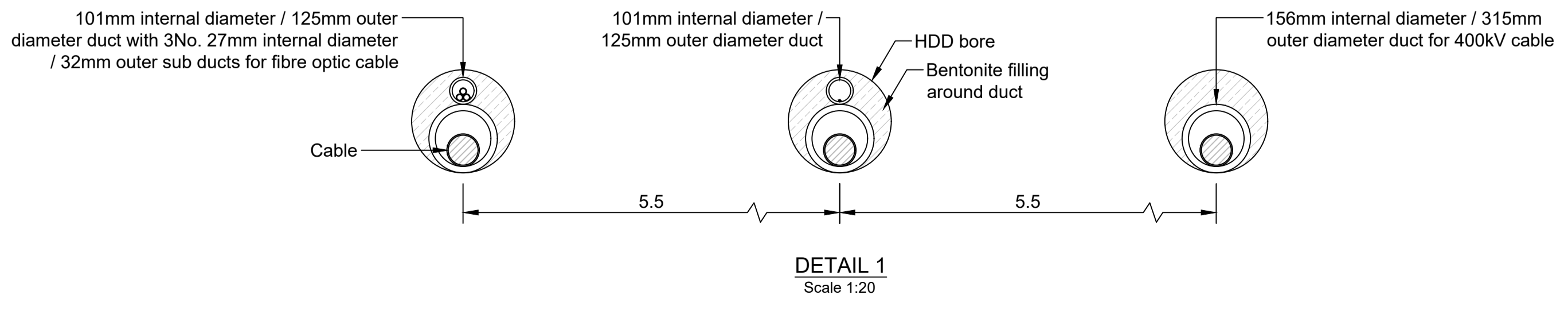
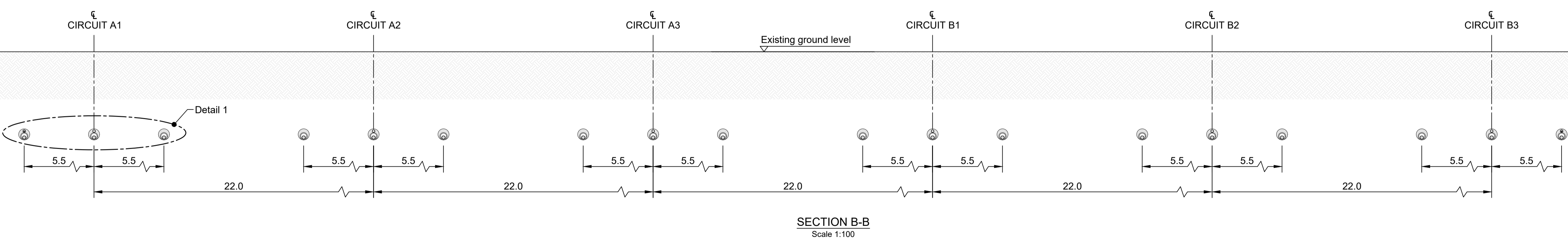
1. The details in this drawing are illustrative only. The final position and design will be within the parameters contained within the DCO with reference to the Work Plans.
2. All dimensions are in metres unless noted otherwise.
3. Cable installation as per the National Grid Standard Specification NGTS 3.5.7.
4. Cable bonding and earthing as per NGTS 3.5.4 and NGTS 3.1.2.



Reference should be made to Document 2.1 Guide to the Plans which provides further information on what the plans show.

NG Investment No. 21847

ISSUE	DATE	REMARKS	DRAWN	CHKD	APPD
A	17/02/23	Rev A for DCO Application	NP	DF	RF



PROJECT: **Bramford to Twinstead Reinforcement**

TITLE: **2.11.15 Design and Layout Plans: Horizontal Directional Drill**

CIRCUIT / SITE	Bramford - Pelham & Bramford - Braintree - Bulls Lodge	ACAD
ORIGINATOR DRAWING No.	5BSELU-PTDC-CABCI-XXXX-DR-EC-00039	A1
NG DRAWING No.	BT-NG-020621-545-0029	A
Scale:-	As stated	
Sheet No.	1	
No. of Sheets	1	

National Grid plc  
National Grid House,  
Warwick Technology Park,  
Gallows Hill, Warwick.  
CV34 6DA United Kingdom

Registered in England and Wales  
No. 4031152  
[nationalgrid.com](http://nationalgrid.com)